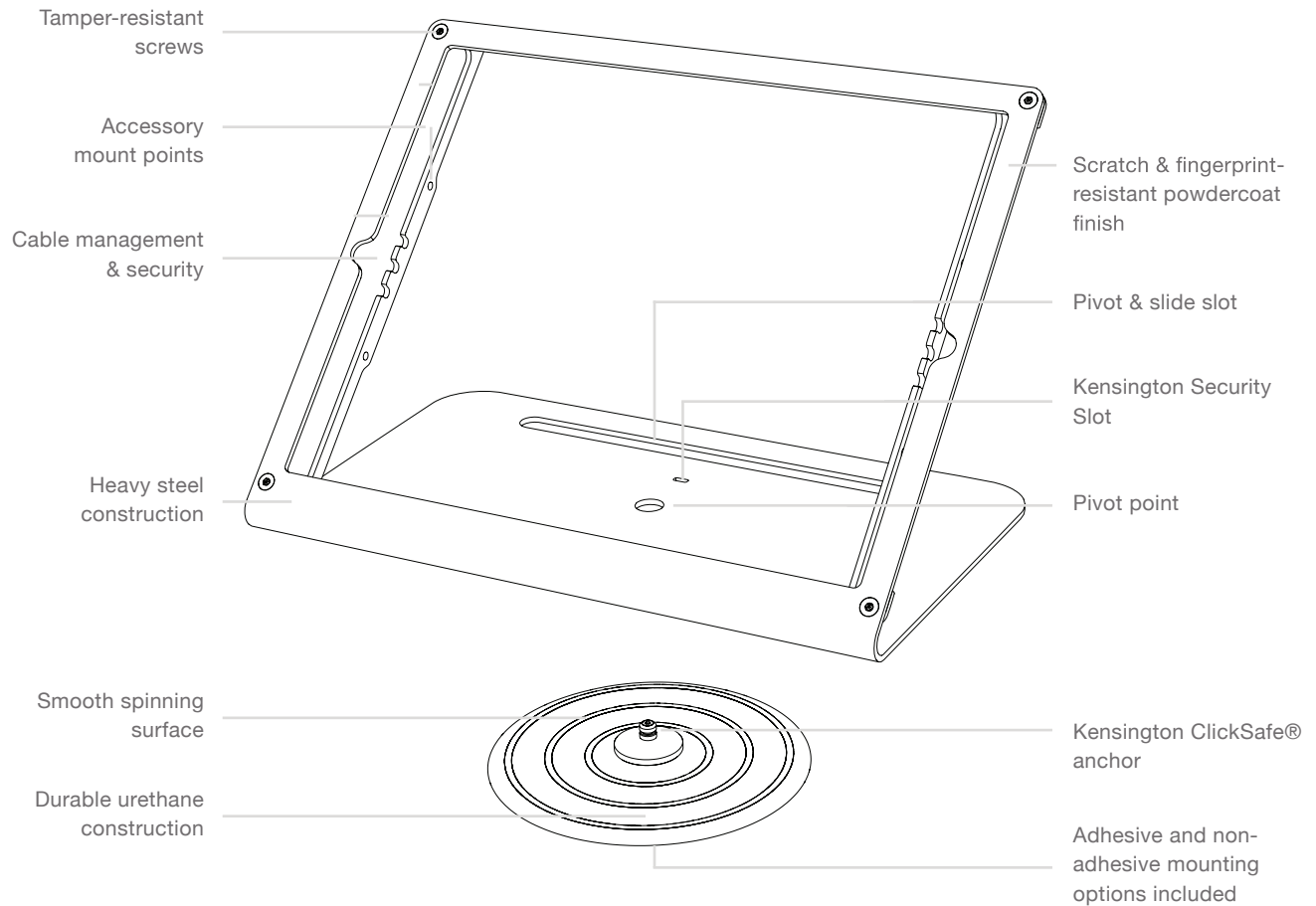


# WindFall® STAND

Secure Stand for iPad Pro

Apple's largest and most powerful tablet is here. And with WindFall Stand for iPad Pro, it's ready to be the hub of your business. Use WindFall Stand for iPad Pro to treat your employees and customers the best, most advanced experience available.





### Specifications

<b>Width</b>	12 inches
<b>Height</b>	7.45 inches
<b>Depth</b>	7.35 inches
<b>Weight</b>	3.4 pounds
<b>Angle</b>	45 degrees

### What's Included

WindFall Stand for iPad Pro	Four screw caps
PivotTable installation accessory	Four friction feet
Assembly tool	Four sliding feet

### Available Colors

Additional and custom colors available upon request. Minimum order and additional charges will apply.



H384-BK Black RAL 9011	H384-BG Black Grey RAL 7021	H384-BR Bright Red RAL 3020	H384-SF Seafoam Pantone 351 C	H384-GW Grey White RAL 9002	H384-SW Sky White RAL 9003
------------------------------	-----------------------------------	-----------------------------------	-------------------------------------	-----------------------------------	----------------------------------



42461 Abu Dhabi United Arab Emirates  
+ 971 2 6666 580 | [www.lse.ae](http://www.lse.ae)